

User's Manual

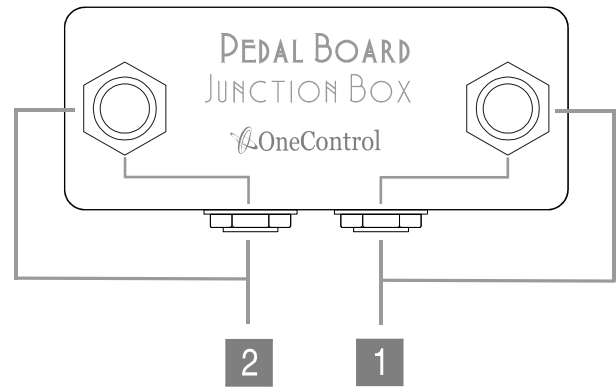
MINIMAL PEDAL BOARD JUNCTION BOX



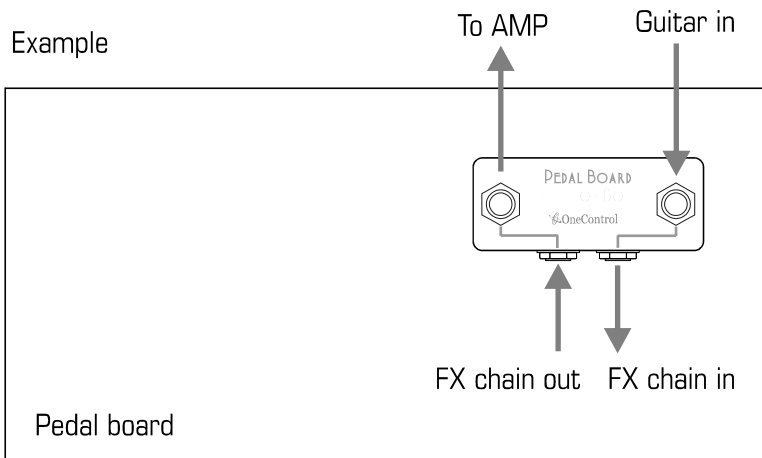
Thank you for your purchase of the MINIMAL Pedal board Junction box by One Control.

The One Control Junction Box is a convenient small in- and output box that can be used to route signal to and from your board to keep everything clean and organized.

- 1** JUNCTION PAIR 1
The two jacks are internally connected.
- 2** JUNCTION PAIR 2
The two jacks are internally connected.



Example



Specifications

DIMENSIONS: 94(W)x44(D)x38(H) mm (with jacks)

WEIGHT: 105g

Warranty

Repairs or exchanges under warranty are subject to these warranty guidelines:

This product is covered under our warranty for the period of 1 year from date of purchase, as filled out on the warranty card. In the case the product needs to be shipped, the cost of shipping will be paid by the buyer.

The Following are not covered by this warranty:

Fire, earthquake, natural disasters such as flooding, material breakage, or war. Warranty is void if there is any trace of repair or modification that is not performed or authorized by LEP International.

One Control by LEP International Co, LTD.

9-16 Suehiro Hanamaki

Iwate 025-0079, Japan

Phone: 0198-23-6600 Fax: 0198-29-4244

support@one-control.com

www.one-control.com