



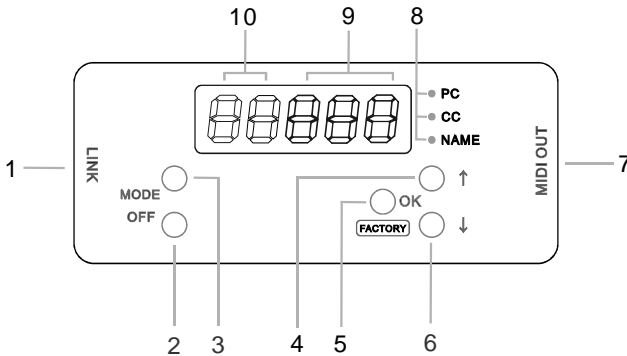
Croc Eye

USER'S MANUAL

Features:

- >Expand the midi capacity of Crocodile Tail Loop(OC10).
- >Total 70 presets which map to the 70 programs in OC10.
- >Handle 16 midi devices on 16 midi channels.
- >Full range PC# and CC# control.
- >Editable name for each preset.
- >POL(Power On Link cable) Technology.

1- Overview



(1) LINK

Connect to Crocodile Tail Loop (OC10) with a link cable.

(2) OFF

In edit mode, this button turn off the PC# and CC#.
In recall mode, the button adjusts the screen brightness.

(3) MODE

In recall mode, hold this button to edit mode.
In edit mode, press this button to select edit mode of PC#/CC#/NAME.
Hold this button will return to recall mode.

(4) UP

This button scroll up the numbers.

(5) OK (factory)

This button confirm the selected numbers.
Hold this button when power up, the unit will enter factory restroe mode.

(6) DOWN

This button scroll down the numbers.

(7) MIDI OUT

Midi output jack.

(8) Edit mode indicators

The leds indicate which edit mode is activated .

(9) Green Display

The green screen shows the PC#/CC#/NAME

(10) Blue Display

The blue screen shows the Preset Number/Midi Channel.

2- Concept & Terms

PC#: Program(Patch) Change Number, available from 0~127, and OFF (send nothing).

CC#: Control Change Number, available from 0~127, and OFF (send nothing).

Preset: CrocEye manage 16 midi channels at the same time, 16 channels of PC# and CC# are stored into presets, which synchronize to programs (0~69) of OC10, when a program of OC10 is recalled, the corresponded CrocEye preset will send the stored PC# and CC# via the MIDI OUT jack. Chart 1 shows the structure of a CrocEye preset.

Chart 1 Structure of a CrocEye Preset

MIDI CH1		MIDI CH2		· · ·			MIDI CH15		MIDI CH16	
PC#	CC#	PC#	CC#	· · ·			PC#	CC#	PC#	CC#

PCI: PC# index in edit mode, displayed on the blue screen, it indicates on which channel the PC# is being edited.

"P1" means the PC# on midi channel 1 is being edited.

"P9" means the PC# on midi channel 9 is being edited.

"P0" means the PC# on midi channel 10 is being edited.

"P1." means the PC# on midi channel 11 is being edited.

"P6." means the PC# on midi channel 16 is being edited.

CCI: CC# index in edit mode, displayed on the green screen, it indicates on which channel the CC# is being edited, a CC# have two data, the 1st data is indicated by "C", the 2nd data by "c".

"C1" means the CC# 1st data on midi channel 1 is being edited.

"c1" means the CC# 2nd data on midi channel 1 is being edited.

"C0" means the CC# 1st data on midi channel 10 is being edited.

"c0" means the CC# 2nd data on midi channel 10 is being edited.

"C1." means the CC# 1st data on midi channel 11 is being edited.

"c1." means the CC# 2nd data on midi channel 11 is being edited.

PRE CC#: Each midi channel in a preset contain a PC# and a CC#, CrocEye allows user to insert a CC# on each midi channel, this CC# is called PRE CC#, which is sent previously to the preset midi message. The PRE CC# is normally used as "pre FX engage" before the program in the slave midi device is to be changed.

Note: Each midi channel only have one PRE CC# which can be configured when CrocEye powers up.

Recall Mode: In this mode CrocEye synchronizes with OC10.

Edit Mode: In this mode user can edit PC#, CC# and NAME in a preset.

Factory Reset Mode: User is able to restore the factory presets in this mode.

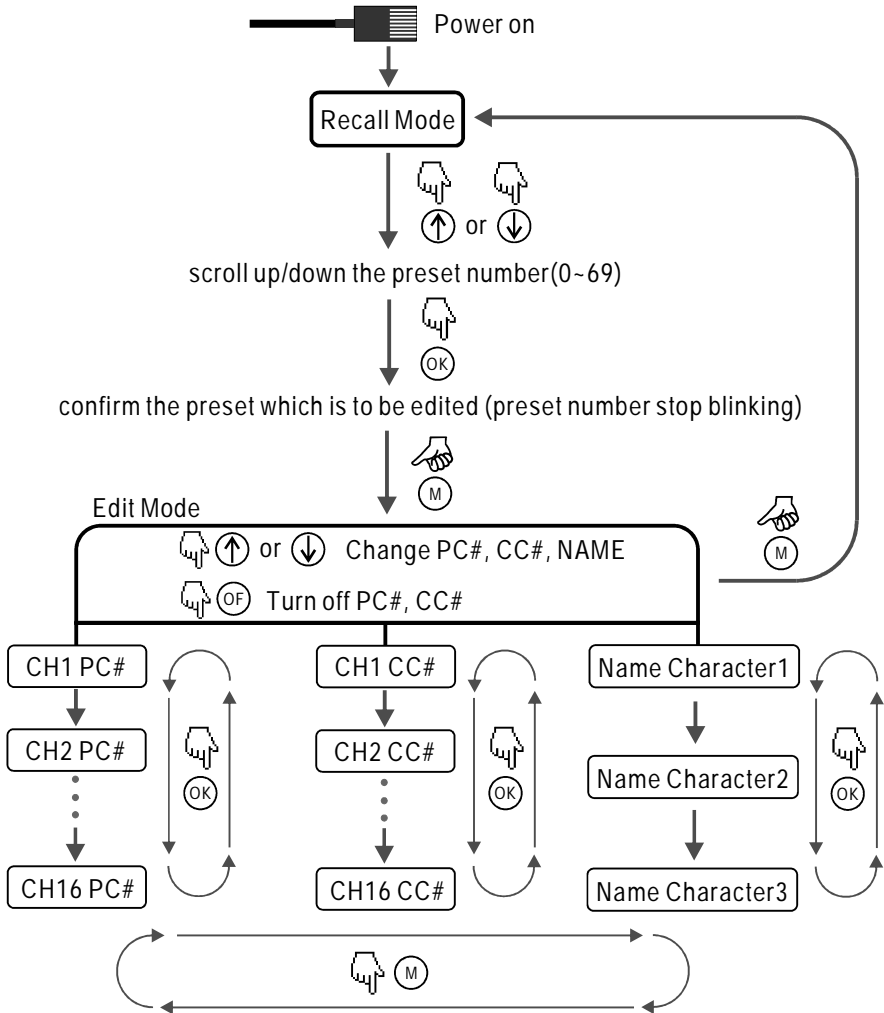
PRE CC# Mode: User is able to edit the PRE CC# on each midi channel in this mode

3- Edit Presets

Chart 2 Symbols used in digram

Symbol					
Button	OK	UP	DOWN	MODE	OFF

= short press a button = hold a button for 2 seconds



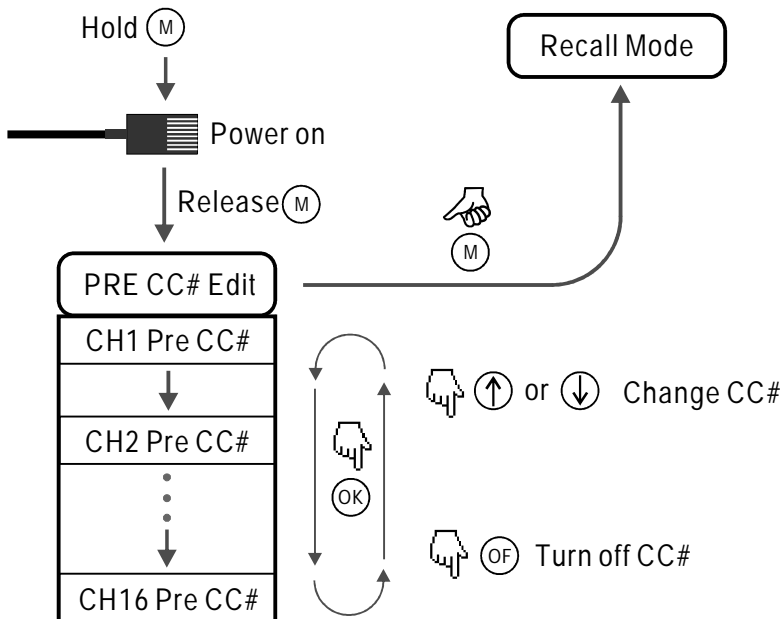
Note: When a PC#/CC#/NAME is changed by "UP"/"DOWN" button, the PC#/CC#/NAME will not be stored until "OK" button is pressed.

4- Edit PRE CC#

Pre CC# is normally used to engage/bypass a midi device before its program/patch is changed by CrocEye. User can define 16 Pre CC# on 16 midi channels. The factory default Pre CC# value is as below.

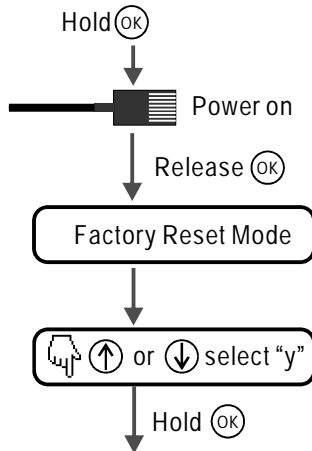
Chart 3 Default Pre CC#

Midi Channel	CH1	CH2	CH3	CH4	CH5-16
Pre CC#(data1/data2)	102/127	102/127	102/127	102/127	null



5- Factory Reset

Factory reset will restore the factory value to presets, Pre CC#, and screen brightness.

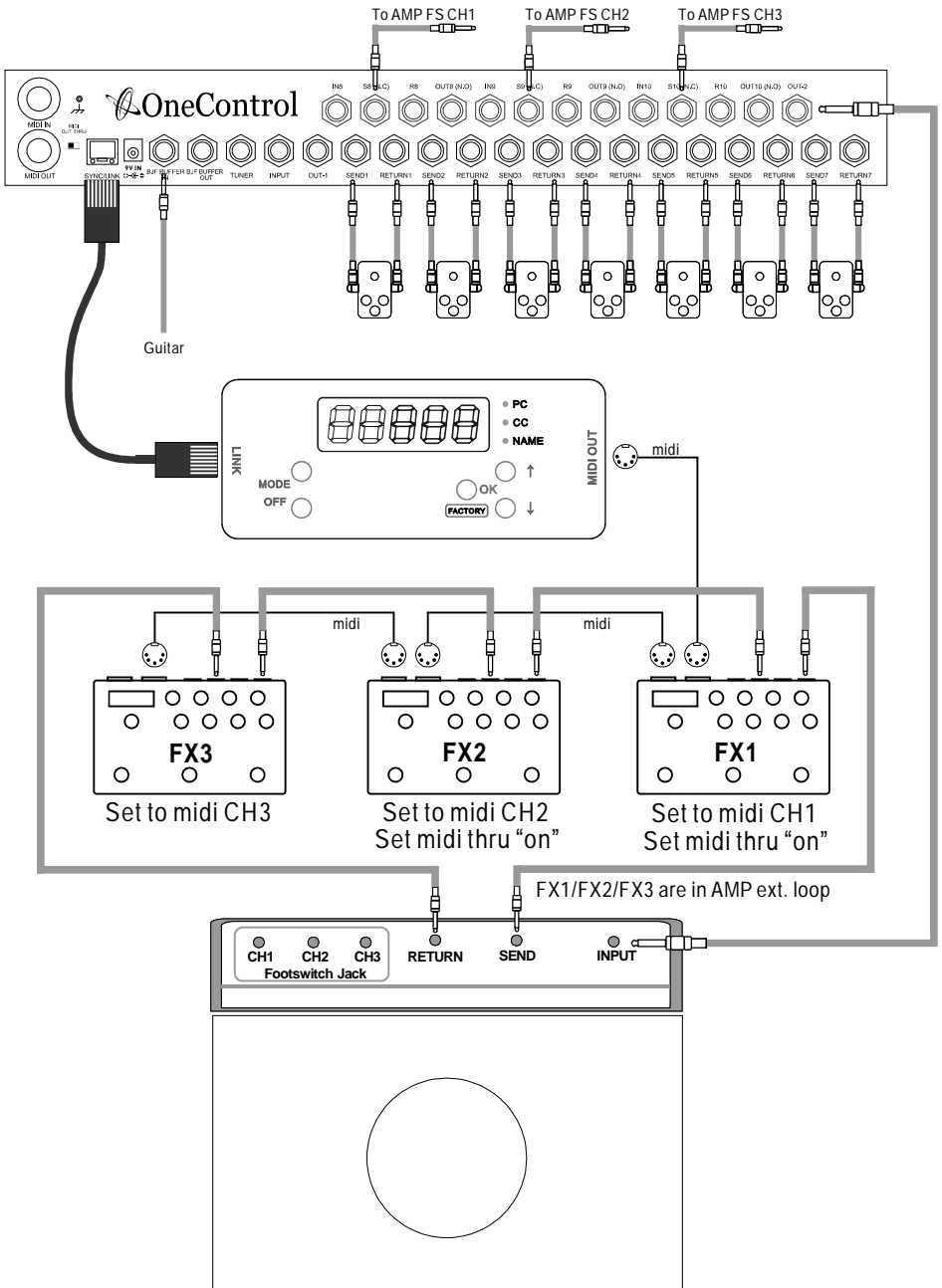


keep holding (OK), till the timer counts down from 5 to 0, CrocEye starts a factory reset.

Chart 4 Factory PC#, CC#, NAME

CrocEye Preset 0			
Map to OC10 BANK 1 PGM1	CH1 PC#(00)	CH1-CH16 CC# (null)	1-1 NAME
	CH2 PC#(01)		
	CH3 PC#(02)		
	• • •		
	CH15 PC#(14)		
	CH16 PC#(15)		
• • •			
CrocEye Preset 7			
Map to OC10 BANK 2 PGM1	CH1 PC#(01)	CH1-CH16 CC# (null)	2-1 NAME
	CH2 PC#(02)		
	CH3 PC#(03)		
	• • •		
	CH15 PC#(15)		
	CH16 PC#(16)		
• • •			
CrocEye Preset 69			
Map to OC10 BANK 10 PGM7	CH1 PC#(69)	CH1-CH16 CC# (null)	0-7 NAME
	CH2 PC#(70)		
	CH3 PC#(71)		
	• • •		
	CH15 PC#(83)		

6- Typical Connection



7- Specifications

Dimensions.....39(W) x94(D)X35(H)mm
Weight.....100g
Power Supply.....Power by Link Cable (POL)
Current Drain.....max. 50mA