

# User's Manual

## BLACK LOOP

### MINIMAL

#### 2 LOOP SYSTEM



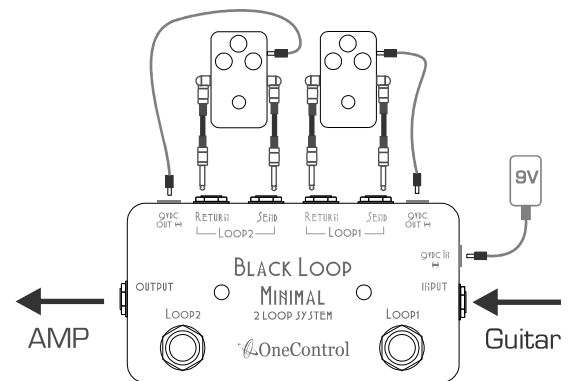
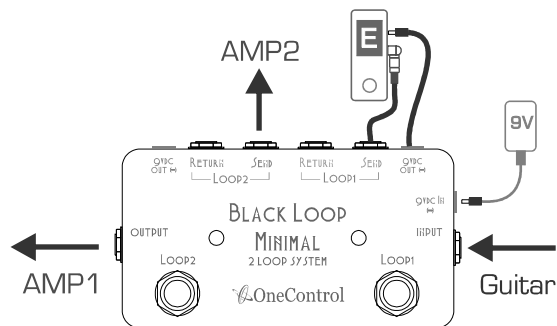
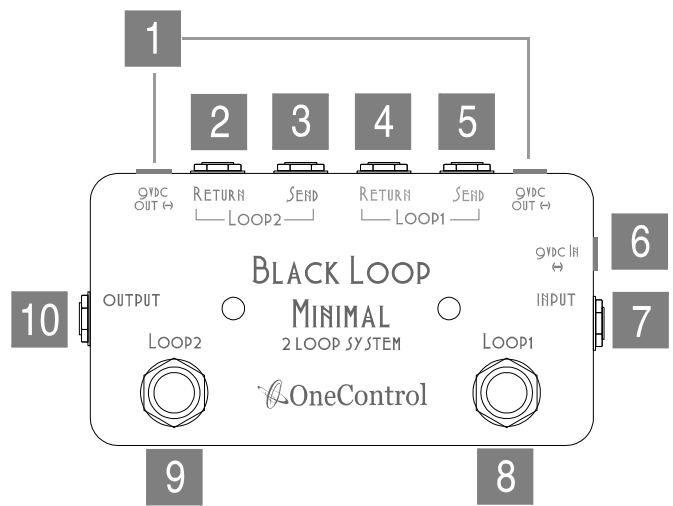
**Thank you for your purchase of the Black Loop by One Control.**

The BLACK LOOP is a 2 Loop true bypass switcher with two DC outputs. While using the DC Input the two DC outs can be used. While pedals are connected to Loop 1 or Loop 2, they can be simultaneously powered and bypassed by using the Black Loop's true by-pass capabilities.

Players can connect multiple pedals into each loop to create two independent effect chains. The Black Loop is a great solution for bypassing vintage effect while not in use. The Black Loop has several uses depending on how you connect it.

Alternatively connect separate Amps to both of the loop sends, allowing you to use the Black Loop as an amp switcher. Either of the send outs can also be used to connect to a tuner or be used as a mute switch.

- 1 DC OUT 9 Volt output to power an effect pedal
- 2 LOOP 2 RETURN Output from effect pedal(s)
- 3 LOOP 2 SEND Input to effect pedal(s)
- 4 LOOP 1 RETURN Output from effect pedal(s)
- 5 LOOP 1 SEND Input to effect pedal(s)
- 6 9VDC INPUT Typical 9V center negative power supplies can be used.
- 7 INPUT JACK Plug in your instrument here.
- 8 FOOT SWITCH Toggles Loop 1 on or off. While off, the pedal is true by-pass.
- 9 FOOT SWITCH Toggles Loop 1 on or off. While off, the pedal is true by-pass.
- 10 OUTPUT JACK This is a typical output that should be connected to your amplifier.



## Specifications

Current Draw: 9 Volt center negative, max. 4mA (for LED indicators).

DIMENSIONS: 120Wx65Dx46H mm (Jack and Footswitch Included) 4.4Wx2.6Dx1.8H inch

WEIGHT: 200g

## Warranty

Repairs or exchanges under warranty are subject to these warranty guidelines:

This product is covered under our warranty for the period of 1 year from date of purchase, as filled out on the warranty card. In the case the product needs to be shipped, the cost of shipping will be paid by the buyer.

The Following are not covered by this warranty:

Fire, earthquake, natural disasters such as flooding, material breakage, or war. Warranty is void if there is any trace of repair or modification that is not performed or authorized by LEP International.

**One Control by LEP International Co, LTD.**

9-16 Suehiro Hanamaki

Iwate 025-0079, Japan

Phone: 0198-23-6600 Fax: 0198-29-4244

support@one-control.com

www.one-control.com